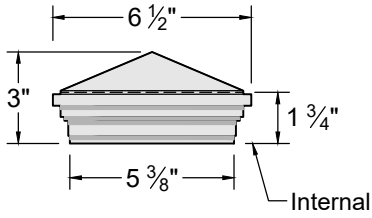
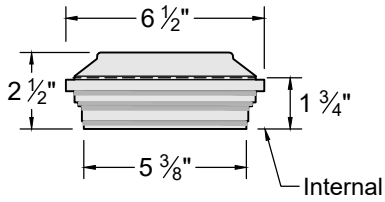


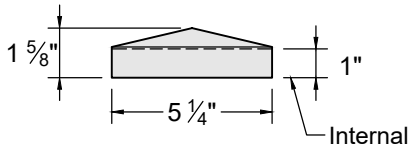
#### POST CAPS



Pyramid



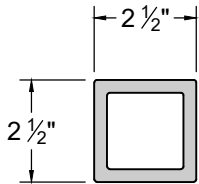
Flat Top



Crown

#### STEEL POST

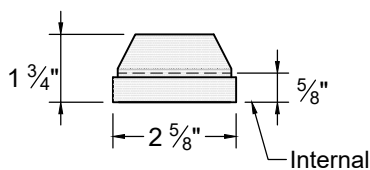
\*(Horizons)



LENGTH: 108"  
(12 GA)

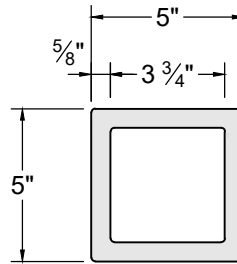
#### STEEL POST CAP

\*(Horizons)



\*1. ALL HORIZONS COMPONENTS ARE MATTE BLACK POWDER COATED GALVANIZED STEEL (COASTAL APPLICATIONS MUST USE STAINLESS STEEL).  
2. TREX COMPONENT DIMENSIONS MAY VARY.

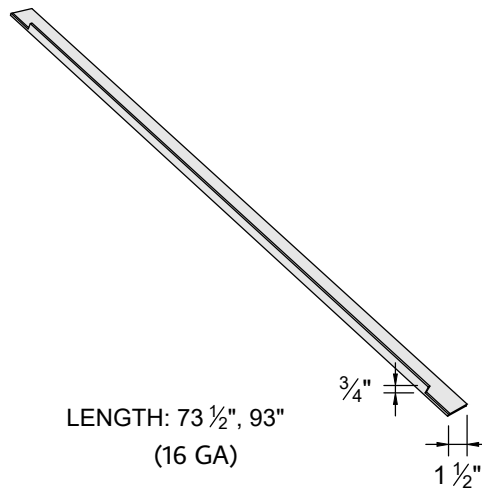
#### POST



LENGTH: 96", 108", 144"

#### VERTICAL BACK RAIL

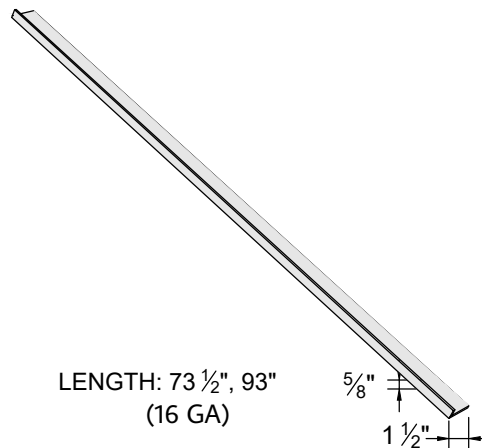
\*(Horizons)



LENGTH: 73 1/2", 93"  
(16 GA)

#### VERTICAL FRONT RAIL

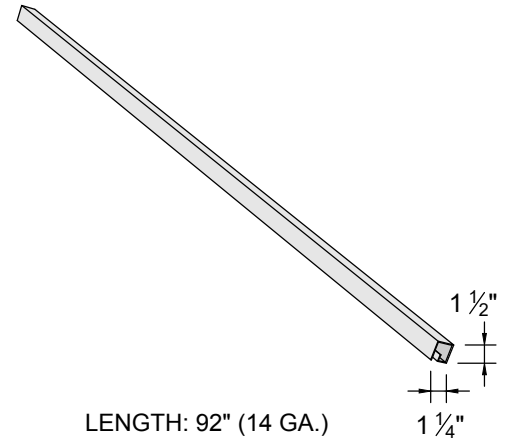
\*(Horizons)



LENGTH: 73 1/2", 93"  
(16 GA)

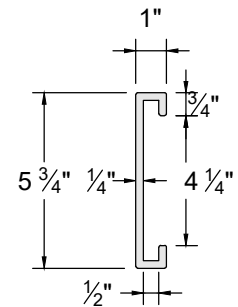
#### HORIZONTAL TOP & BOTTOM RAIL

\*(Horizons)



LENGTH: 92" (14 GA.)

#### PICKET / BOTTOM RAIL



LENGTH: 67", 91"

#### HORIZONTAL TOP RAIL BRACKET

\*(Horizons)

